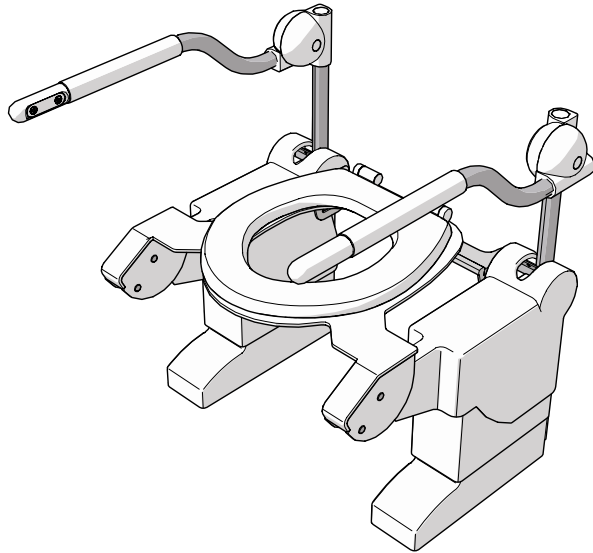


Tilting Toilet lift

USER MANUAL



AEROLET®
care lifting solutions

ABOUT THIS MANUAL

Welcome to the user manual for the Aerolet® tilting toilet lift. This device is designed to help individuals with reduced mobility and/or muscle strength to use the toilet safely and independently. It also eases the physical strain on caregivers who assist with toileting. The tilting toilet lift moves the toilet seat in a diagonal movement. This manual contains instructions and safety information for operation of the Aerolet® tilting toilet lift.

Language

The original manual is written in UK English. All other language versions are translations of the original manual.



Intended readers

This manual is intended for:

- The user of the machine
- The worker that operates the machine

Symbols used

This manual contains safety instructions that may result in injury when ignored. Each safety warning is indicated with a signal word. The signal word corresponds with the level of risk of the described hazardous situation:

| Safety symbol | Level of risk | Result if not avoided |
|-------------------------------------------------------------------------------------------------|---------------|--------------------------------------------------------------------|
|  WARNING | Medium | Could result in death or serious injury. |
|  CAUTION | Low | Could result in moderate or minor injury or damage to the machine. |

Safety warnings given at the start of a section apply to the entire section.

Other symbols used

This manual contains symbols that indicate useful information that complements the instructional text and illustrations.


| Symbol | Meaning |
|------------------------------------------------------------------------------------------------|-----------------------------------------------------------------------------------------------------------------------------------|
|  NOTICE | Messages that are not hazard-related are indicated with the signal word NOTICE. These messages do not have a safety alert symbol. |

TABLE OF CONTENTS

| | |
|------------------------------------------------------------|-----------|
| 1. Product | 4 |
| 1.1. Intended use | 4 |
| 1.2. Reasonably foreseeable unintended use | 4 |
| 1.3. General specifications | 4 |
| 2. Description | 6 |
| 2.1. Main parts | 6 |
| 2.2. Controls | 9 |
| 3. Safety | 12 |
| 3.1. Safety features | 12 |
| 3.2. Safety symbols and labels on the product | 12 |
| 3.3. Safety warnings and regulations | 12 |
| 4. Installation | 14 |
| 4.1. Adjusting | 14 |
| 5. Use | 14 |
| 5.1. Lifting and lowering with arm support | 15 |
| 5.2. Lifting and lowering with easy-to-use button (add-on) | 16 |
| 5.3. Lifting and lowering with hand remote (add-on) | 16 |
| 5.4. Lifting and lowering with foot control (add-on) | 16 |
| 5.5. Battery back-up (add-on) | 16 |
| 5.6. Switching off | 16 |
| 5.7. Resetting | 16 |
| 6. Troubleshooting | 16 |
| 7. Maintenance | 17 |
| 7.1. Periodic maintenance | 17 |
| 7.2. Repair | 17 |
| 8. Decommissioning | 18 |
| 9. Warranty | 19 |
| 10. Disposal | 19 |

1. PRODUCT

1.1. Intended use

The essential performance of the toilet lift is to:

- Assist individuals with reduced mobility in using the toilet. The device helps to lower and lift the user on the toilet.
- Assist caregivers who help individuals with reduced mobility to make use of the toilet.

The essential performance of the toilet lift must be what it is intended to be and what the end user can expect. If the intended purpose of the essential performance is lost or deteriorates, the product is no longer suitable for the user.

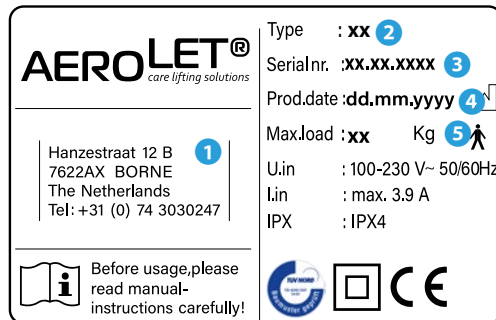
1.2. Reasonably foreseeable unintended use

The following is considered foreseeable misuse:

- Use of the machine that deviates from the intended use as described in the previous section.
- Failure to comply with the instructions in this manual.
- Failure to eliminate faults, malfunctions or defects of the machine that impose safety risks.
- Failure to carry out the inspections and maintenance operations as described in this manual.
- Unauthorised removal or modification of parts or safety components of the machine.
- Use of spare parts or accessories that have not been approved by the manufacturer.

1.3. General specifications

The most important specifications can be found on the type plate. The type plate can be found on the right hand side, at the back of the toilet frame.



Example of a type plate

- 1** Contact details manufacturer
- 2** Type code
- 3** Serial number

- 4** Production date
- 5** Maximum nominal load

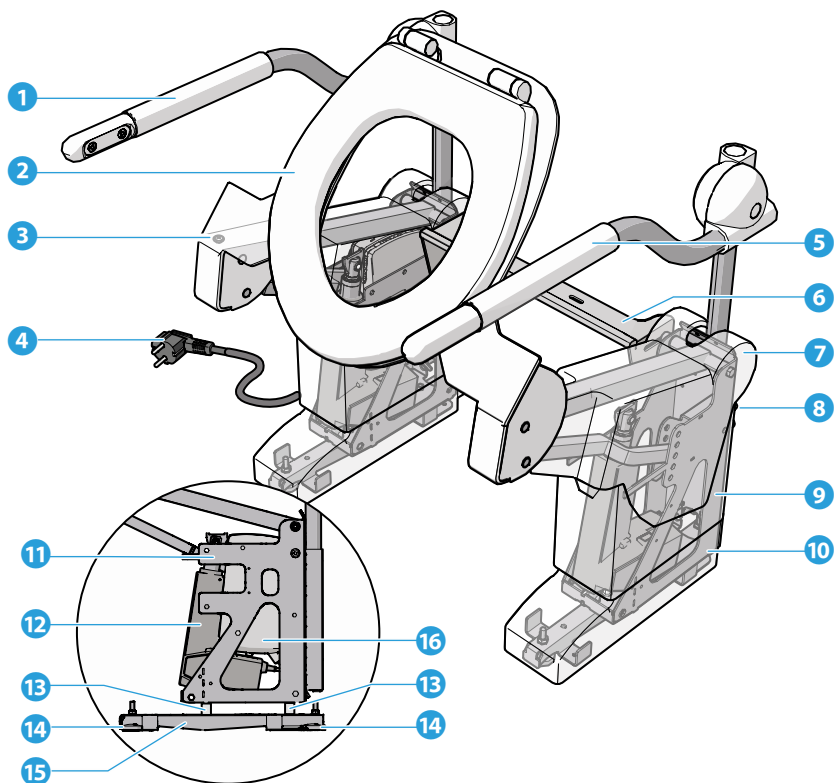
The table below is a full overview of all the technical specifications:

| Specification | Value |
|-----------------------------------|------------------------------|
| Name of the machine | Aerolet® tilting toilet lift |
| Length, width and height | 68 x 70 x 89 cm |
| Weight | 30 kg |
| Voltage | 100-230 V |
| Frequency | 50/60 Hz |
| Capacity | Max. 3.9 A |
| Working speed | 55 mm/sec |
| Sound level | 3.5 dB |
| Operating and storage temperature | 5 – 40 °C |
| Operating and storage humidity | 20 - 60% |
| Operation altitude | Max. 2000 m |
| Warranty | 2 years |

2. DESCRIPTION

2.1. Main parts

This is an overview of the main parts of the Aerolet® tilting toilet lift:



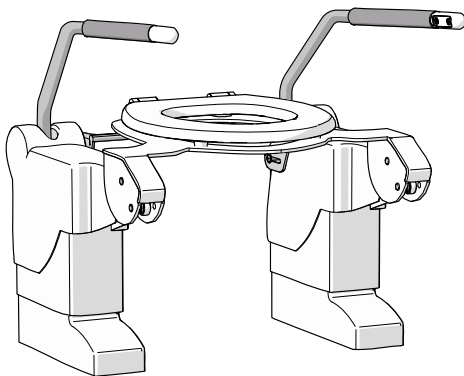
- 1 Right arm support
- 2 Toilet seat
- 3 Top cover locking screw
- 4 Power plug
- 5 Left arm support
- 6 Connecting bracket
- 7 Top cover
- 8 Allen bolts

- 9 Middle cover
- 10 Foot cover
- 11 Drive unit
- 12 Actuator
- 13 Height adapter
- 14 Levelling feet
- 15 Floor frame
- 16 Control box

The diagonal toilet lift is equipped with one of four types of armrests:

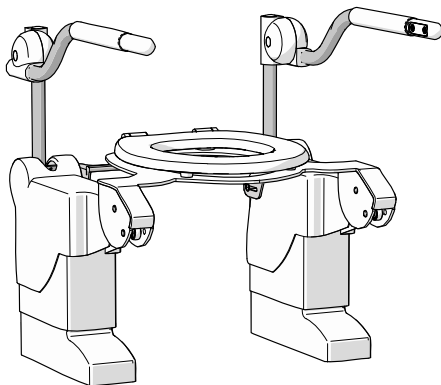
Fixed armrests

- This type of armrest is not foldable and can be adjusted in height.
-



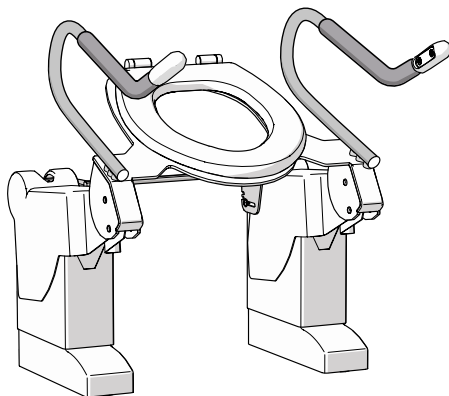
Folding armrests

- This type of armrest can fold upwards and can be adjusted in height.
-



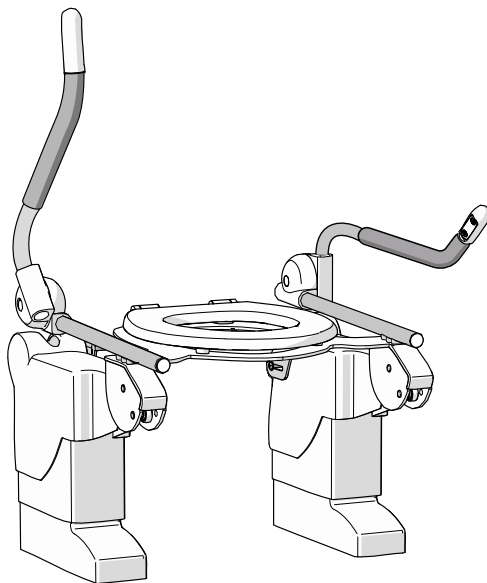
Movable armrests

- This type of armrest tilts alongside the toilet seat and has a fixed height.
-



Movable-folding armrests

- This type of armrest tilts alongside the toilet seat, can fold upwards and has a fixed height.
-



The following add-ons are available:

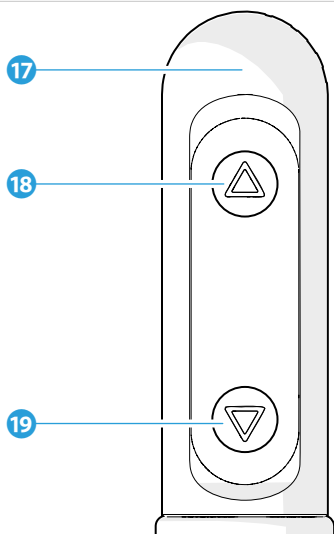
Battery back-up

- The toilet lift can be equipped with a battery backup. This battery backup ensures that the lift can operate in the event of a power failure.

Bidet system

- If the type code (see type plate) is BI-ST, BI-SM or BI-BA, the toilet lift can be equipped with an on-top mounted bidet system. The bidet-system can be bought and installed by an external company. To prepare the toilet lift for an on-top mounted bidet system, see chapter XREF.

2.2. Controls



17 Arm support control

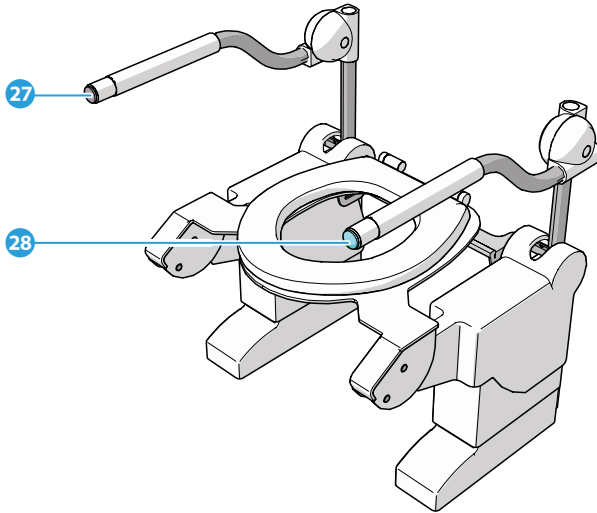
18 Arm support up-button

19 Arm support down-button

The following control add-ons are available:

Easy-to-use button

- The regular armrest control buttons can be replaced for push buttons at the front of the armrests. This is useful for users with reduced muscle strength or hand function.

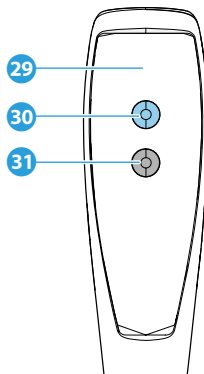


20 Easy-to-use down-button

21 Easy-to-use up-button

Hand remote control

- Aside from the regular armrest control buttons, a hand remote can be installed. This is useful for caregivers to operate the toilet lift.



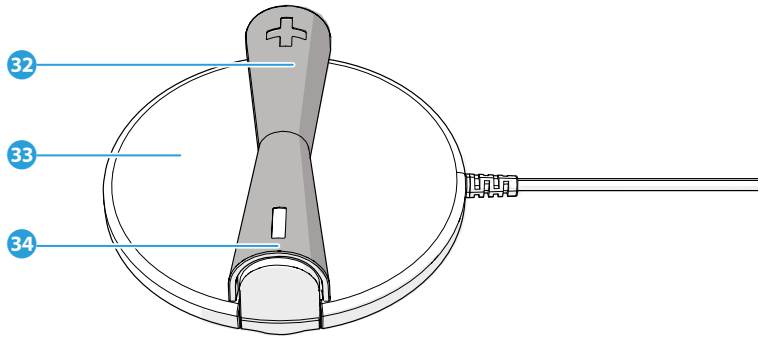
22 Hand remote

24 Hand remote down-button

23 Hand remote up-button

Foot control

- Aside from the regular armrest control buttons, a foot control can be installed. This is useful for users with reduced hand and/or finger mobility.
-



25 Foot control up-button

26 Foot control

27 Foot control down-button

3. SAFETY

3.1. Safety features

To minimize the risk of a fire hazard or electric shock, the device is equipped with short-circuit protection, thermal protection, hot-plug protection and overload protection.

To protect the device against water damage, and to protect the user from electric shock, the device is equipped with a plastic seating cover and foot cover.

To warn the user when there is an electronics error or if the battery back-up (add on) is empty, the device makes a constant beep sound.

To ensure the user can safely use and maintain the toilet lift, distributors of Aerolet will give a product demonstration on site. The demonstration includes explanation of operation of the device, and explanation of correct cleaning and maintenance.

3.2. Safety symbols and labels on the product

This is an overview and explanation of all inflicted safety symbols and labels on the product.



Warning: Fully lower the toilet lift after use.



Warning: Risk of entrapment



Maximum weight indication of 150 kg / 330 lbs.



Maximum weight indication of 250 kg / 550 lbs.

3.3. Safety warnings and regulations

3.3.1. General safety warnings

WARNING

- Risk of serious injury. Ensure you have fully read and understood the instructions in this document before you install or use the product. Keep the packaging and this document for future reference.
- Risk of serious injury. Always use the product as described in this document.
- Risk of serious injury. Never use the product if a part is damaged or defective. Replace a damaged or defective product or part immediately. Always check the product for damage before use.

CAUTION

- Risk of product damage. High temperatures can cause overheating. Never operate the lift in temperatures above 40 degrees Celsius.
- Risk of product damage. Excessive humidity can cause electrical issues and product malfunction. Never operate the lift when humidity exceeds 60%.
- Risk of product damage. Always use the specified power supply. Ensure you use the correct power specifications.

3.3.2. Safety warnings for use

⚠ WARNING

- Child safety hazard. Risk of serious injury or product damage. Never allow children to play with the device. Keep children supervised.
- Risk of injury. Always supervise individuals who are unable to use the lift independently. Provide assistance as needed.
- Hand entrapment hazard. Risk of injury. Always place your hands on the armrests when lowering or raising the lift to prevent your hands or fingers from getting caught between the armrests and the seat frame. Operate the toilet lift with caution.
- Falling hazard. Risk of injury due to incorrect seat height. Ensure the seat is in the lowest position before sitting down. Always fully lower the lift after use.
- Risk of malfunction, serious injury and voiding warranty. Never attempt to disassemble or modify the device. Contact a professional for repairs.
- Burns and fire hazard. Risk of injury. Ensure the power cord is not damaged or frayed. Replace any damaged cords immediately
- Burns and fire hazard. Risk of serious injury due to short-circuiting. Use only the battery back-up specified by the manufacturer. Avoid dropping or striking the battery pack.
- Explosion and fire hazard. Risk of serious injury. Never expose the battery back-up to high temperatures or open flames. Store and use the battery pack in a cool, dry place.
- Risk of injury. Regularly inspect the lift for signs of wear or damage. Ignoring wear can lead to failure during use. Perform monthly inspections.

⚠ CAUTION

- Risk of product malfunction. Never exceed the maximum weight capacity. Overloading can cause the lift to fail. Check the manufacturer's specifications.
- Falling or slipping hazard. Objects may interfere with operation and cause accidents. Always clear the area around the toilet lift of obstacles.
- Risk of product malfunction. Never place heavy objects on the lift. Excess weight can cause malfunction. Keep the lift clear of additional loads.
- Risk of damage to the armrest padding and loss of armrest grip. Never wear sharp rings when using the toilet lift. Remove rings before use.

3.3.3. Safety warnings for maintenance

⚠ WARNING

- Risk of electrical shock. Disconnect the power supply before performing any maintenance. Always unplug the device first.
- Risk of electric shock. Never pour water over the toilet lift or rinse with high pressure. Use a damp cloth for cleaning instead.

⚠ CAUTION

- Electrical hazard. Risk of electric shock or product damage. Never clean under the seating cover and foot cover. Avoid these areas during cleaning.
- Risk of damage to toilet lift surfaces. Never use chlorine, hydrochloric acid (lime dissolvers) or abrasives to clean the product. Use mild soap or diluted bleach instead.
- Risk of damage to toilet lift surfaces. Never scrub the toilet lift harshly, especially the type plate, safety symbols and button stickers.
- Risk of reduced accuracy of controls. Prevent dirt accumulation by cleaning product surfaces periodically.


4. INSTALLATION

4.1. Adjusting

Each foot frame has five hinge positions for adjusting the rise height and tilt angle.

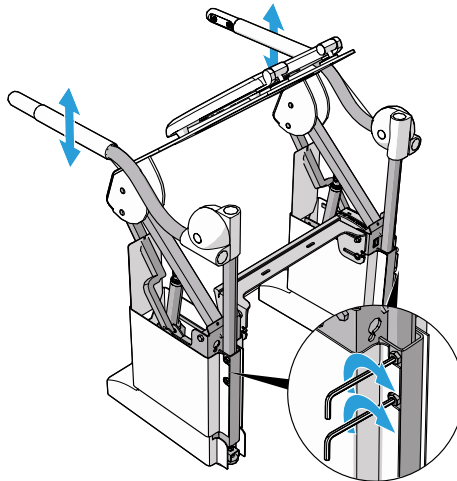
4.1.1. Arm support height

The fixed armrest and the folding armrest can be adjusted in height.

1. Loosen the two allen bolts .
2. Adjust the armrest to the desired height and tighten the allen bolts.

CAUTION

Risk of damage to the armrests. Never adjust the armrests to a position where the toilet seat touches the armrests. Always leave enough room for the armrests to move up and down to prevent surface scratches.



5. USE

Risk of injury. Always supervise individuals who are unable to use the lift independently. Provide assistance as needed.

WARNING

Hand entrapment hazard. Risk of injury. Always place your hands on the armrests when lowering or raising the lift to prevent your hands or fingers from getting caught between the armrests and the seat frame. Operate the toilet lift with caution.

Falling hazard. Risk of injury due to incorrect seat height. Ensure the seat is in the lowest position before sitting down. Always fully lower the lift after use.

Risk of product malfunction. Never exceed the maximum weight capacity. Overloading can cause the lift to fail. Check the manufacturer's specifications.

⚠ CAUTION

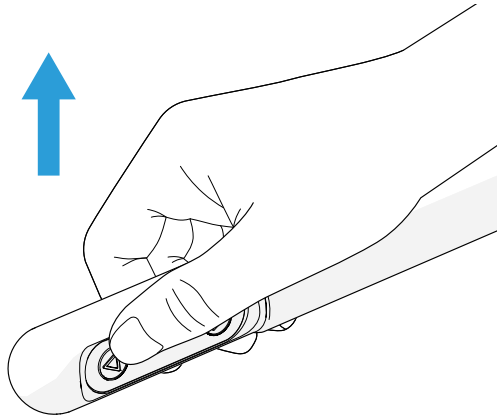
Risk of product damage. High temperatures can cause overheating. Never operate the lift in temperatures above 40 degrees Celsius.

Risk of product damage. Excessive humidity can cause electrical issues and product malfunction. Never operate the lift when humidity exceeds 60%.

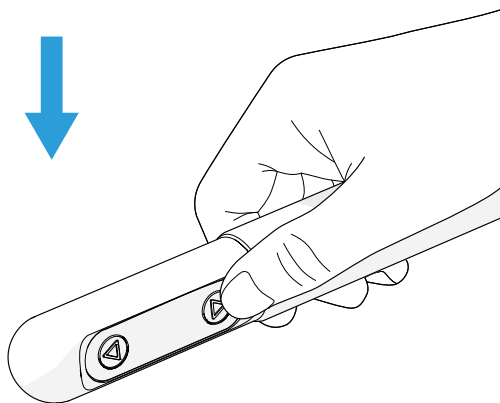
5.1. Lifting and lowering with arm support

The toilet lift has control buttons to move the toilet lift up and down. The toilet lift stops automatically in the highest or lowest position.

1. To lift the toilet lift, press the arm support up-button **18**, located on the right arm support **1**.



2. To lower the toilet lift, press the arm support down-button **19**, located on the right arm support **1**.



5.2. Lifting and lowering with easy-to-use button (add-on)

1. To lift the toilet lift, press the blue easy-to-use up-button 21, located on the left arm support 5.
2. To lower the toilet lift, press the black easy-to-use down-button 20, located on the right arm support 1.

5.3. Lifting and lowering with hand remote (add-on)

1. To lift the toilet lift, press the hand remote up-button 23.
2. To lower the toilet lift, press the hand remote down-button 24.

5.4. Lifting and lowering with foot control (add-on)

1. To lift the toilet lift, press the foot control up-button 25, indicated with a + symbol.
2. To lower the toilet lift, press the foot control down-button 27, indicated with a - symbol.

5.5. Battery back-up (add-on)

The battery backup allows the toilet lift to operate during a power failure. The battery backup supports 20-30 lifting movements before it depletes. The toilet lift operates at a slower speed in emergency mode, but the lifting force remains unchanged. When the emergency battery is empty, the toilet lift will emit a constant beep sound if you press the up or down control button. Reconnect the toilet lift to mains power to automatically recharge the battery. The battery will fully recharge within 24 hours.

5.6. Switching off

To switch off the toilet lift, disconnect the power plug 4 from the power outlet.

5.7. Resetting

If the toilet lift makes a beep sound when one of the control buttons is pressed, reset the lift. Follow the following procedure to reset the toilet lift:

1. Press the arm support up-button 18 and down button 19 simultaneously and hold until the beep sound dies down.
2. Lower the toilet lift by pressing the arm support down-button. Bring the toilet lift at the lowest position.
3. Contact your dealer.

6. TROUBLESHOOTING

| Problem | Possible cause | Solution |
|-------------------------------------------------------------------------------------------------|-------------------------------------------------------------------------------|--------------------------------------------------------------------------------------|
| The toilet lift does not lift or lower. | The toilet lift is not connected to a power supply. | Connect the toilet lift to a power supply. |
| | Left, right control unit or both control units are defective. | Contact dealer. |
| | Arm support up-button and arm support down-button are pressed simultaneously. | Press arm support up-button or arm support down-button. Do not press simultaneously. |
| The toilet lift does not lift or lower and all 5 LEDs XREF on the left drive unit are flashing. | Communication error in one of the arm support control buttons. | Reset the lifter and lower the toilet lift. Contact your dealer. |
| The toilet lift makes a beep sound when one of the control buttons is pressed. | The toilet lift has an electronics error. | Reset the toilet lift. See chapter 5.7.. |
| The toilet lift makes a squeaking noise when the toilet lift is lifted or lowered. | The guide rods are greasy and/or dirty. | Clean and degrease the guide rods with a degreaser such as benzene. |

7. MAINTENANCE

7.1. Periodic maintenance

⚠ WARNING

Risk of electrical shock. Disconnect the power supply before performing any maintenance. Always unplug the device first.

Risk of electric shock. Never pour water over the toilet lift or rinse with high pressure. Use a damp cloth for cleaning instead.

⚠ CAUTION

Electrical hazard. Risk of electric shock or product damage. Never clean under the seating cover and foot cover. Avoid these areas during cleaning.

Risk of damage to toilet lift surfaces. Never use chlorine, hydrochloric acid (lime dissolvers) or abrasives to clean the product. Use mild soap or diluted bleach instead.

Risk of damage to toilet lift surfaces. Never scrub the toilet lift harshly, especially the type plate, safety symbols and button stickers.

Risk of reduced accuracy of controls. Prevent dirt accumulation by cleaning product surfaces periodically.

Clean the toilet lift regularly. Use a soft wash cloth with mild soap and warm water solution to wipe down all the toilet lift surfaces. For heavier soiling, wipe clean with a diluted bleach solution and rinse well before drying. Regularly check the mounting screws are tight and that the toilet seat raiser is firmly clamped to the toilet bowl. Regularly check the toilet lift for damage and wear, paying special attention to the condition of the seat and the mounting attachment.

7.2. Repair

⚠ WARNING

Improper maintenance hazard. Risk of serious injury and product malfunction. Always repair the device by trained and authorized personnel. If the toilet lift is not repaired by an authorised body, there is a risk of malfunction and the warranty may be withdrawn.

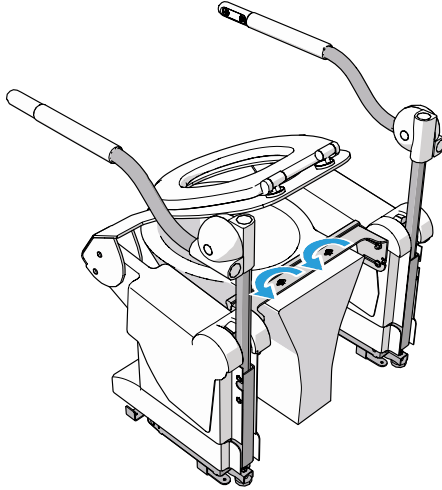
Repairs should be done by trained and authorized personnel. If repairs are done under warranty, send defective parts to Aerolet.

It is possible to order spare parts on request. Contact Aerolet for a parts list.

8. DECOMMISSIONING

In case of permanent or prolonged non-use, or for transport of the product, the following procedure should be followed to decommission the toilet lift.

1. Press the arm support up-button **18** to bring the toilet upwards.
 2. Unscrew the carriage bolts from the connecting bracket **6**.
-



3. Disconnect the power plug **4** from the power outlet.
4. Lift the toilet lift by the arm supports **1** **5** and remove the toilet lift.

9. WARRANTY

Aerolet guarantees the Aerolet® vertical toilet lift against material and manufacturing defects for a period of two years from purchase by the end user. The warranty period starts either on the date of delivery, or on the installation date, when the installation has been carried out by Aerolet or by an authorised dealer. During this warranty period, Aerolet or an authorised dealer will, at its discretion, repair or replace any defective parts. Parts repaired under warranty should be returned to Aerolet.

The warranty on your Aerolet toilet lift does not apply to defects resulting from the following:

- Improper or inadequate maintenance by the user.
- Unauthorised adjustments and/or modifications or misuse.
- Use outside the environmental specifications for which the product is intended.

If the toilet lift is not opened by an authorised body, there is a risk of malfunction and the warranty may be withdrawn.

10. DISPOSAL



Separate and dispose the components of the machine into the applicable waste streams based on their materials, in accordance with local regulations.

ATTACHMENTS

Attachment 1. Declaration of conformity

Aerolet declares that the Aerolet® vertical toilet lift complies with the following directive: Medical Devices Regulation (EU) MDR 2017/745.

The product conforms to the following standards:

- EN 60601-1:2006
- EN 60601-1-2:2015
- EN-ISO 14971:2019+ A11:2021
- EN-ISO 13485:2016
- EN 1041:2008+A1:2013
- EN 6060-2
- NEN-EN 21856



Aerolet

Het Lentfert 38, 7547SR Enschede

info@aerolet.nl

www.aerolet.nl - www.aeroletnl.com

Original user manual

v1.0 - 02/2025